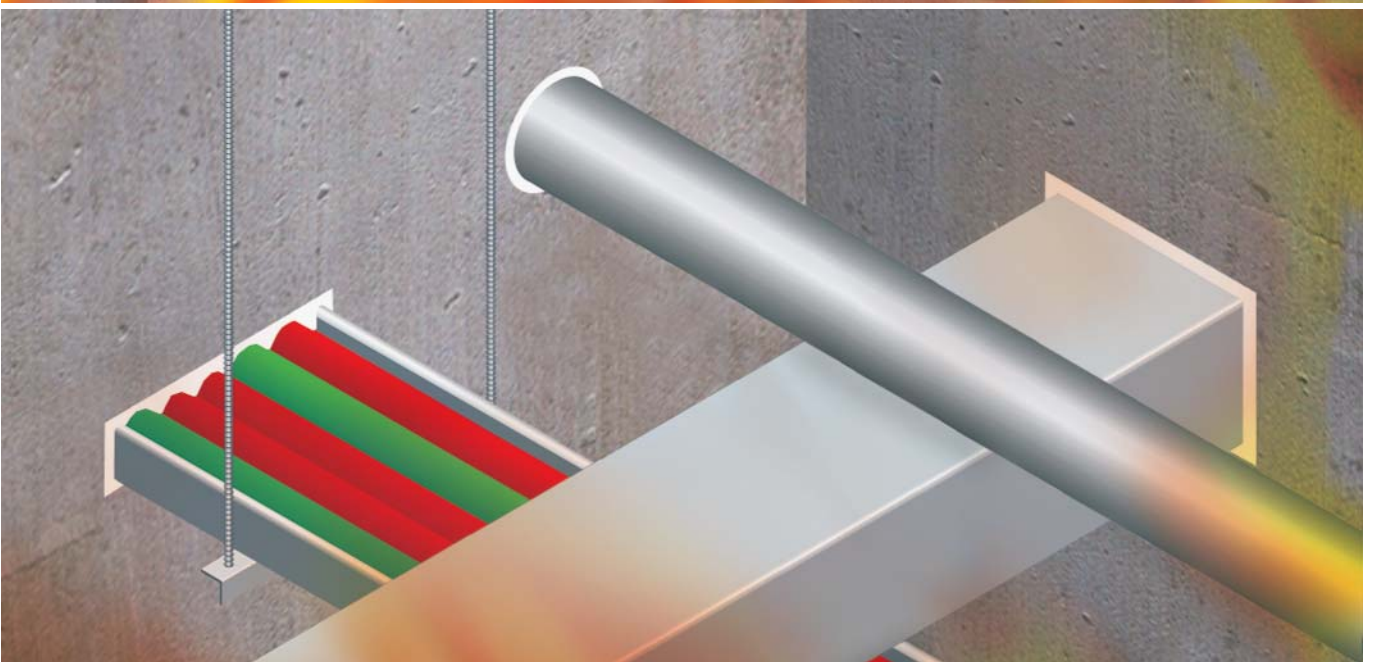
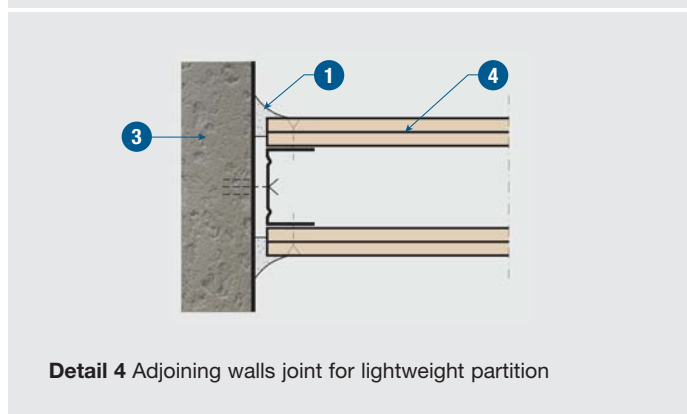
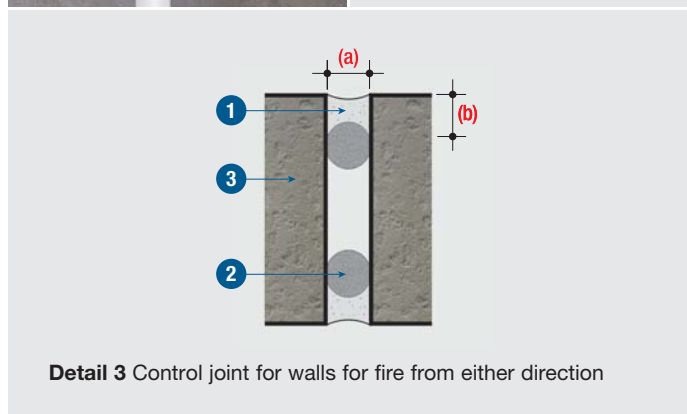
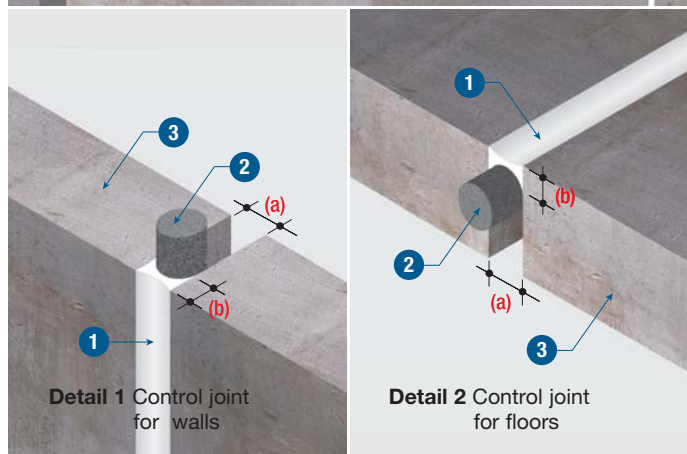
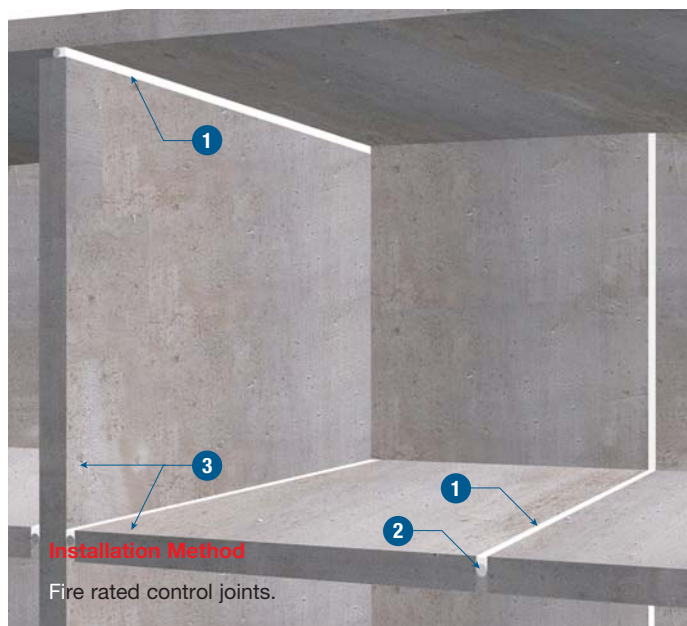


Promat



**PROMASEAL[®] Acrylic/Intumescent/
Silicone Sealant's Penetration seals**





PROMASEAL® sealants are acrylic, intumescent or silicone based gunable sealant designed for fire resistant sealing of joints and services penetration against spread of fire, smoke and hot gases to 4 hours fire resistance.

Adhesion is excellent to most types of surface. They cure in air to form a non-hardening, tack-free seal.

When specifying or sourcing a sealant for a control joint, it is essential that the characteristics of each control joint are taken into account. Control joints are provided either in or between elements of construction to allow for differential movement caused by a number of factors including shrinkage, thermal expansion, service loads, creep or as means of joining pre-cast units.

PROMASEAL® Acrylic, Intumescent or Silicone Sealant vary in their movement capabilities. As a general rule, Acrylic Sealants have low movement properties (typically between 5% and 10%) and should not be used where movement is a high priority. For good adhesion the surfaces of the building element must be free of any dust or grease and be suitably primed. Please contact your local Promat office for details. For high movement joints please refer to the data sheet of PROMASEAL® FyreStrip.

TECHNICAL DATA

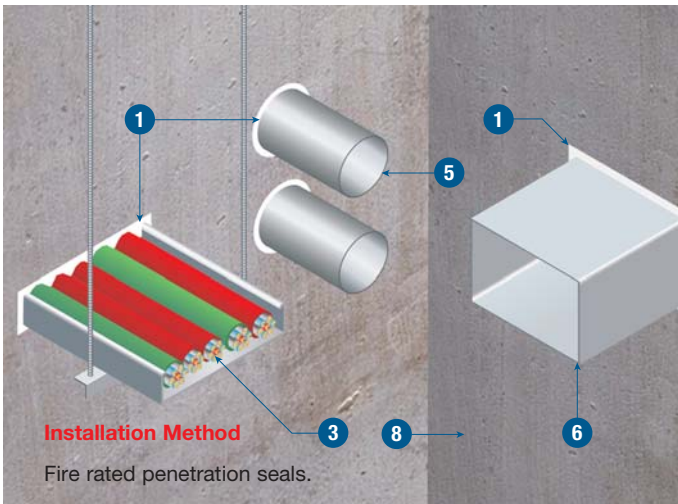
Up to 4 hours fire rating, integrity and insulation in accordance with the criteria of BS 476: Part 20 and AS 1530: Part 4.

- 1 Typical PROMASEAL® Acrylic Sealant, sealing depth as below. Please check with your local Promat Technical Department to ensure the correct use of the sealant specified:

2 hours fire resistance						
(a) Gap width (mm)	10	20	25	30	40	50
(b) Fire side only (mm)	10	10	12	15	20	25
Both sides (mm)	10	10	12	15	20	20
3 hours fire resistance						
(a) Gap width (mm)	10	20	25	30	40	50
(b) Fire side only (mm)	10	10	12	15	20	25
Both sides (mm)	10	10	12	15	20	20
4 hours fire resistance						
(a) Gap width (mm)	10	20	25	30	40	50
(b) Fire side only (mm)	15	30	30	30	40	40
Both sides (mm)	10	15	20	20	20	20

NOTE: For application on the unexposed face only, please contact your local Promat office.

- 2 Polyethylene backing rod or strip (optional)
- 3 Concrete wall or floor
- 4 Dry wall



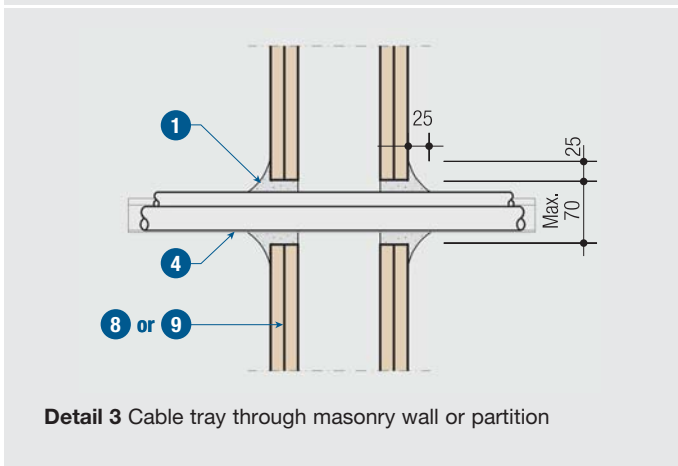
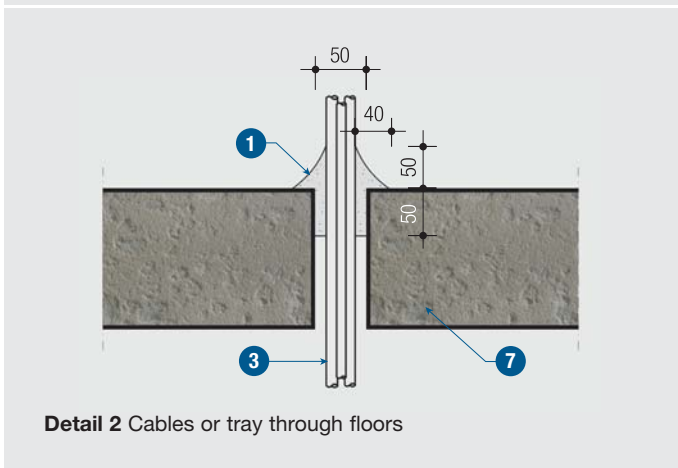
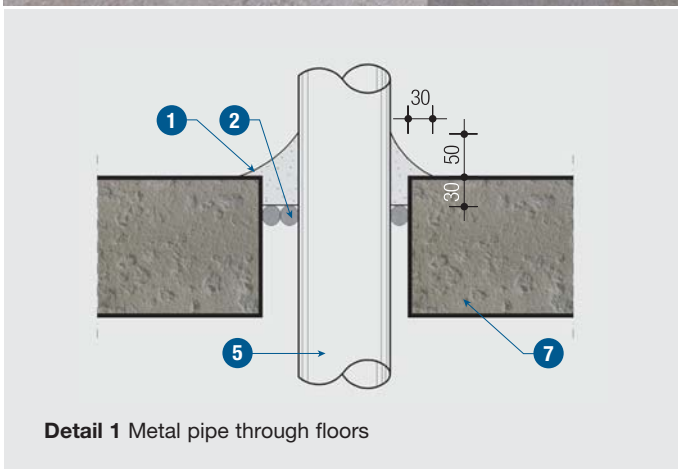
PROMASEAL® Acrylic, Intumescent or Silicone Sealant is also ideal to seal around small gaps with or without penetrating elements.

Supplied in a 300ml cartridge, it is ideal to seal around metal pipes, cables, conduits, busways, and ducts which penetrate walls or floors.

It bonds to masonry, concrete, calcium silicate board, plasterboard, metal and cable coverings and remains flexible after curing to accommodate thermal movement.

The fire rating achieved will be limited to the fire rating of the building element through which the service passes. The size of the gaps around services that can be protected with PROMASEAL® Sealants have limitations. For metal pipes passing through floors the gap between the pipe and floor should be no greater than 38mm, for walls no greater than 20mm. For bundles of cables passing through floors, the maximum opening should be no greater than 50mm Ø (approximately 2000mm²) and through walls, 38mm Ø (approximately 1100mm²).

For cables on cable trays passing through walls, the maximum opening size should not exceed 70mm high x 440mm wide. In some installations when gaps are at the upper end of the range, sealant may be inclined to slump. In such cases the use of PROMASEAL® IBS™ Foam Strip may be the solution, please refer to its separate data sheet.

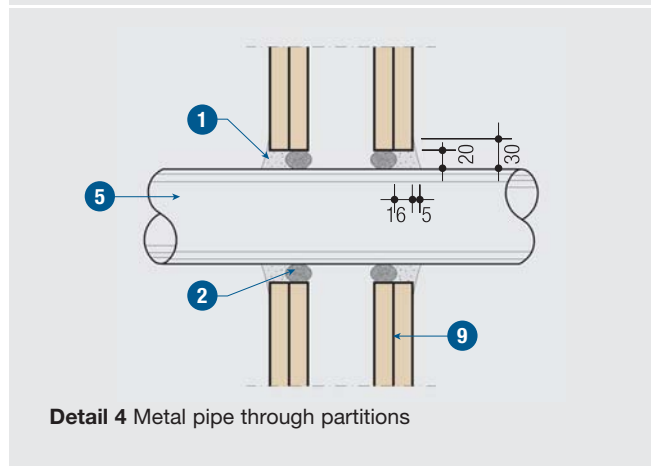


TECHNICAL DATA

Up to 2 hours fire rating in accordance with the criteria of AS 1530: Part 4, BS 476: Part 20 and AS 4072: Part 1; depending on application.

- 1 PROMASEAL® Acrylic, Intumescent or Silicone Sealant
- 2 PROMASEAL® backing rod
- 3 Cables
- 4 Cable Tray
- 5 Metal pipes
- 6 Ventilation Duct
- 7 Concrete floor
- 8 Masonry Wall
- 9 Lightweight partition

NOTE: Details show typical PROMASEAL® Acrylic Sealant applications. For other sealants please contact Promat for availability and details.



For latest information of the Promat Asia Pacific organisation contact details, please refer to www.promat-ap.com

ASIA PACIFIC HEADQUARTERS

Promat International (Asia Pacific) Ltd.
Unit 19-02-01, Level 2 PNB Damansara
No.19 Lorong Dungun, Damansara Heights
50490 Kuala Lumpur
MALAYSIA
Tel: +60 (3) 2095 5111
Fax: +60 (3) 2095 6111
Email: info@promat-ap.com

AUSTRALIA

Promat Australia Pty. Ltd.
1 Scotland Road, Mile End South
Adelaide, SA 5031
Tel: +61 1800 30 20 20
Fax: +61 (8) 8352 1014
Email: mail@promat.com.au

New South Wales Office
Promat Australia Pty. Ltd.
Unit 1, 175 Briens Road
Northmead, NSW 2152
Tel: +61 1800 30 20 20
Fax: +61 (2) 9630 0258
Email: mail@promat.com.au

Victoria Office
Promat Australia Pty. Ltd.
3/273 Williamstown Road
Port Melbourne, VIC 3207
Tel: +61 1800 30 20 20
Fax: +61 (3) 9645 3844
Email: mail@promat.com.au

Western Australia Office
Promat Australia Pty. Ltd.
Locked Bag 8
Subiaco, WA 6904
Tel: +61 1800 30 20 20
Fax: +61 1800 33 45 98
Email: mail@promat.com.au

CHINA

Promat China Ltd.
Room 504, Block B, Qi Lin Plaza
13-35 Pan Fu Road
510180 Guangzhou
Tel: +86 (20) 8136 1167
Fax: +86 (20) 8136 1372
Email: info@promat.com.cn

Beijing Office
Promat North China
(Division of Promat China Ltd.)
Room 1507 Building 5, SOHO Xiandaicheng
No.88 Jianguo Road, Chaoyang District
100022 Beijing
Tel: +86 (10) 8589 1254
Fax: +86 (10) 8589 2904
Email: info@promat.com.cn

HONG KONG

Promat International (Asia Pacific) Ltd.
Room 1010, C.C. Wu Building
302-308 Hennessy Road
Wanchai
Tel: +852 2836 3692
Fax: +852 2834 4313
Email: apromath@promat.com.hk

INDIA

Promat International (Asia Pacific) Ltd.
(India Representative Office)
S-4, Second Floor
B-87 Defence Colony
110024 New Delhi
Tel: +91 (11) 2433 1594
Fax: +91 (11) 2433 1595
Email: info-india@promat-asia.com

MALAYSIA

Promat (Malaysia) Sdn. Bhd.
Unit 19-02-01, Level 2 PNB Damansara
No.19 Lorong Dungun, Damansara Heights
50490 Kuala Lumpur
Tel: +60 (3) 2095 8555
Fax: +60 (3) 2095 2111
Email: info@promat.com.my

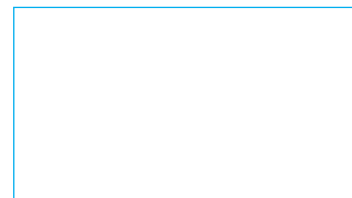
SINGAPORE

Promat Building System Pte. Ltd.
10 Science Park Road, #03-14 The Alpha,
Singapore Science Park II
Singapore 117684
Tel: +65 6776 7635
Fax: +65 6776 7624
Email: info@promat.com.sg

VIETNAM

Promat International (Asia Pacific) Ltd.
(Vietnam Representative Office)
Room 606 Giay Viet Plaza
180-182 Ly Chinh Thang Street
Ward 9, District 3, Hochiminh City
Tel: +84 (8) 931 5964
Fax: +84 (8) 931 5964
Email: phuong@promat-asia.com

Your local Promat supplier



For Promat International groups worldwide: www.promat-international.com

1. This document is formulated on the basis of information and experience available at the time of preparation. Promat is constantly reviewing and up dating all of its test data and reserve the right to change specifications without notice.
2. Promat is not responsible if recipients of Fire test reports, assessments or literature incorrectly interpret their contents and use products based on those interpretations.